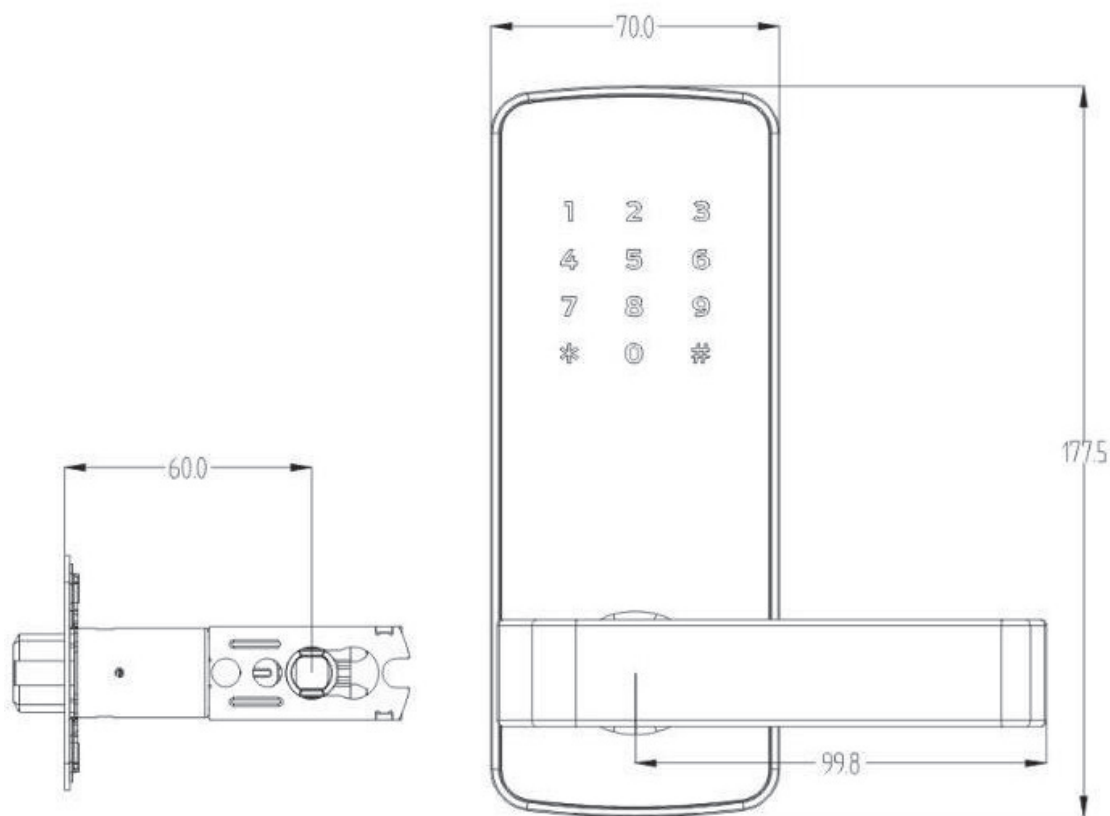



iSentry Latch Black Handle  
Model: DL-TSC-BLK-HDL  
Installation and User Manual



## 1. Introduction



	<p>Material</p>	<p>Zinc Alloy</p>
	<p>Dimension Handle Length</p>	<p>177.5(L)*70 (W)mm 99.8mm</p>
	<p>Weight</p>	<p>2.7kg</p>

## 2. Technical Specification

Communication mode	Bluetooth 4.0ble
Unlocking way	Bluetooth, Code, Mechanical key
Support System	Android 4.3 / IOS 7.0 above
Unlock time	≈ 1.5 sec
Power supply	4pcs 1.5V AA alkaline battery (not supplied)
Static current	≤18uA
Working current	≤200mA
Working temperature	0~80℃
Working humidity	15%~95%RH
Low batteries alarm	When you open the lock with low battery (lower than 4.8V), the indicator light will be flashed for 8 times. That reminds you it's time to change the batteries. <u>still</u> can open the door 200 times.
Anti-Break in and security function	Input wrong password 5 times, the keypad will be locked for 5 minutes.

## 3. FEATURES

(PS: A mobile phone can manage more than one smart lock; select the lock you would like to manage)

### Admin Bluetooth key:

Mobile phone and door lock connected via, the Bluetooth lock unlocks with Bluetooth via the app.

### Admin Password:

Mobile phone and door lock connected, via the Bluetooth lock unlocks with a permanent Master code.

### Bluetooth key remote authorization:

The Admin can instantly send Bluetooth keys to other people's mobile phone APP. It can limit the use time of the Bluetooth key, and can immediately freeze, thaw and delete the electronic key.

### Password remote authorization:

The door lock can send a permanent password and a limited time password in the absence of networking.

### Password protection:

The smart lock will automatically locked for 5 minutes when the wrong password is entered 5 times: You can enter any number of digits before the correct password, make sure the last few digits are the correct password can be unlocked.

### Automatically locked:

Can be set to automatically locked between 5 to 120 seconds after unlocking.

**General lock:** Press and hold “#” about 5 seconds.

**Lower Battery Consumption:** 4pcs AA batteries can provide 5000 openings (approx. 6 months)

**Lower Battery Indicator:**

When battery power is low, the Bluetooth lock will emit low battery warning sound. The battery level will also be updated on the app during Bluetooth unlock. If battery power runs out, use a Mini USB Port

**Real time monitoring:**

When users use app or password to unlock, the Admin can find unlock records on APP.

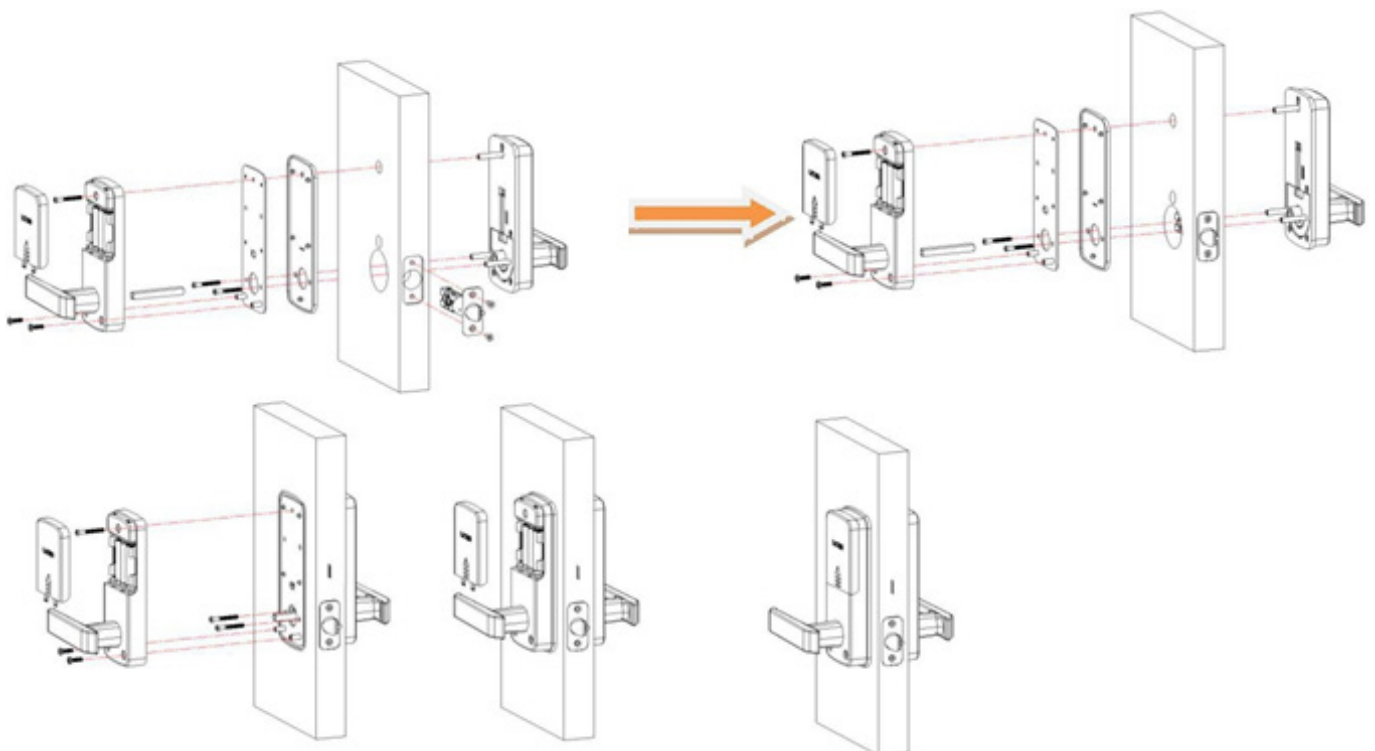
Real-time reminder: Mobile phone and door lock connected, click “✉” on the upper right corner of the interface, you can query the record of received Bluetooth key and more user information.

## 2. INSTALLATION GUIDANCE

Step 1: Drill holes on the door with the template. Step 2: Install the lock latch.

Step 3: Install the front lock panel with the rubber gasket and fix them with screws. Step 4: Install the back panel, fix with screws.

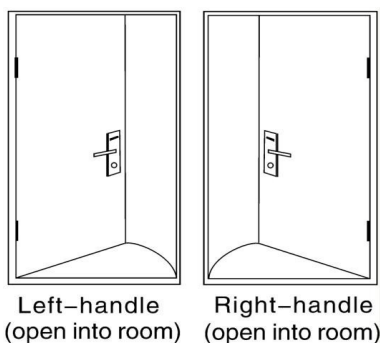
Step 5: Install 4pcs AA batteries, and put the battery cover on.



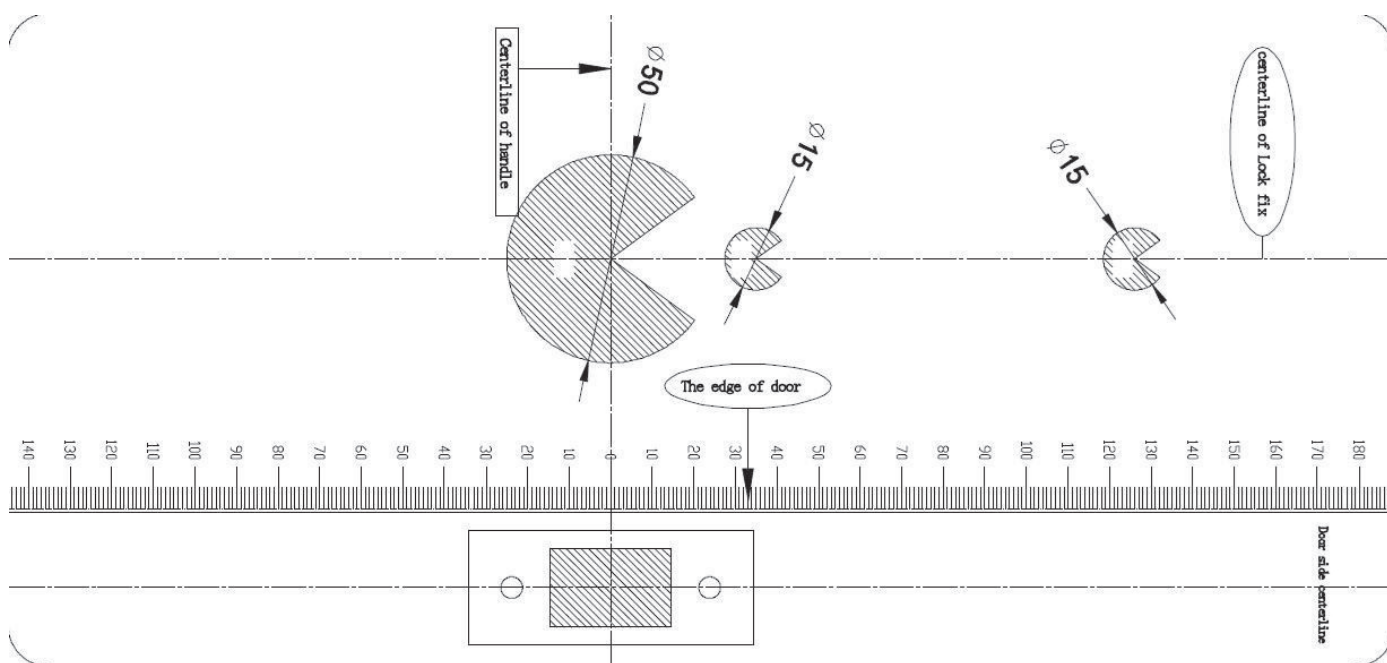
## 2. INSTALLATION GUIDE

### 2-1. Installation condition

- Door thickness: 38-55mm



### Template (for Drilling holes on the door)



## PROGRAMMING

### 4.1. Pairing lock to the phone

- 1) Android mobile phone, please scan the QR code as below.
- 2) Apple mobile phone, please search "TTlock" from App Store.
3. Register a new account (phone number or email) or login with an existing account.
3. Turn on Bluetooth and network, login APP, click "+"---"look" (Let the APP interface remain in this state and then operate the next step)



#### **4-2. Unlock**

1. Bluetooth: Press eKey icon in the app
2. Passcode : press the numbers and then press “#”
3. Mechanical Key : Insert Keys on the handle knob

#### **4-3. Lock**

1. Press and hold “#” for 5 seconds
2. Set auto lock : Check instruction in Features given in section 3
3. Mechanical key : Use Mechanical key

#### **4-4. Modify the Admin password**

Change admin passcode from settings, remember admin passcode can only be configured when lock is connected to app via Bluetooth. Recommended to change admin key when you are near your lock

#### **4-5. Modify the Admin**

A door lock can only have one Admin, you need to delete the original Admin. Go to settings of the lock and press “Delete” which is right at the end of the settings section of the app. You can only perform this operation when next to lock and the lock is connected via Bluetooth to the app

4-7. The Admin’ s phone has the right to freeze, delete, authorize, and rename for the electronic key that has been sent

Select the lock, press eKeys, it will then show eKeys, select the eKey that needs to be managed and set the validity settings or just press delete if it is no longer required

4-8. Password remote authorization: Admin’s phone can remotely send password to other users to unlock Press “send passcode” and generate permanent, one-time, cyclic, timed and custom passcodes. Once generated, advise the person via phone, e-mail or SMS

4-9. The Admin’ s phone has the right to rename, delete the password that has been sent Press “passcodes” and select the passcode that needs to be changed and change the validity

Permanent password: The password will be valid in long-term with unlimited times to open the door. (PS:User need to open the door with already set password within 24 hours, otherwise, it will be invalid.)

Timed password: User can open the door randomly with set password in a limited time. Like a week, an hour, a day, 30 minutes...etc.(PS:User need to open the door with already set password within 24 hours, otherwise, it will be invalid.)

Cyclic password: set specific time on each week period. For example, you can set up a period 10:00-11:00am on every Saturday for housekeeper to enter your house, then they can only open the door during 10:00-11:00am on Saturday. Any other time, the password is invalid.



Call us : 1800940501

Web: [www.ismartlocks.com](http://www.ismartlocks.com)

Email: [info@ismartlocks.com](mailto:info@ismartlocks.com)

**One-Time password:** User can only use the password to unlock the door for one time, the password will be effective within 6 hours after set-up

## 5. Changing batteries

To open the battery compartment, unscrew the back panel and put 4pcs AA batteries. (It is recommended to use a better battery, 4 batteries using the same brand).

Check our Installation Videos on the website under support tab.